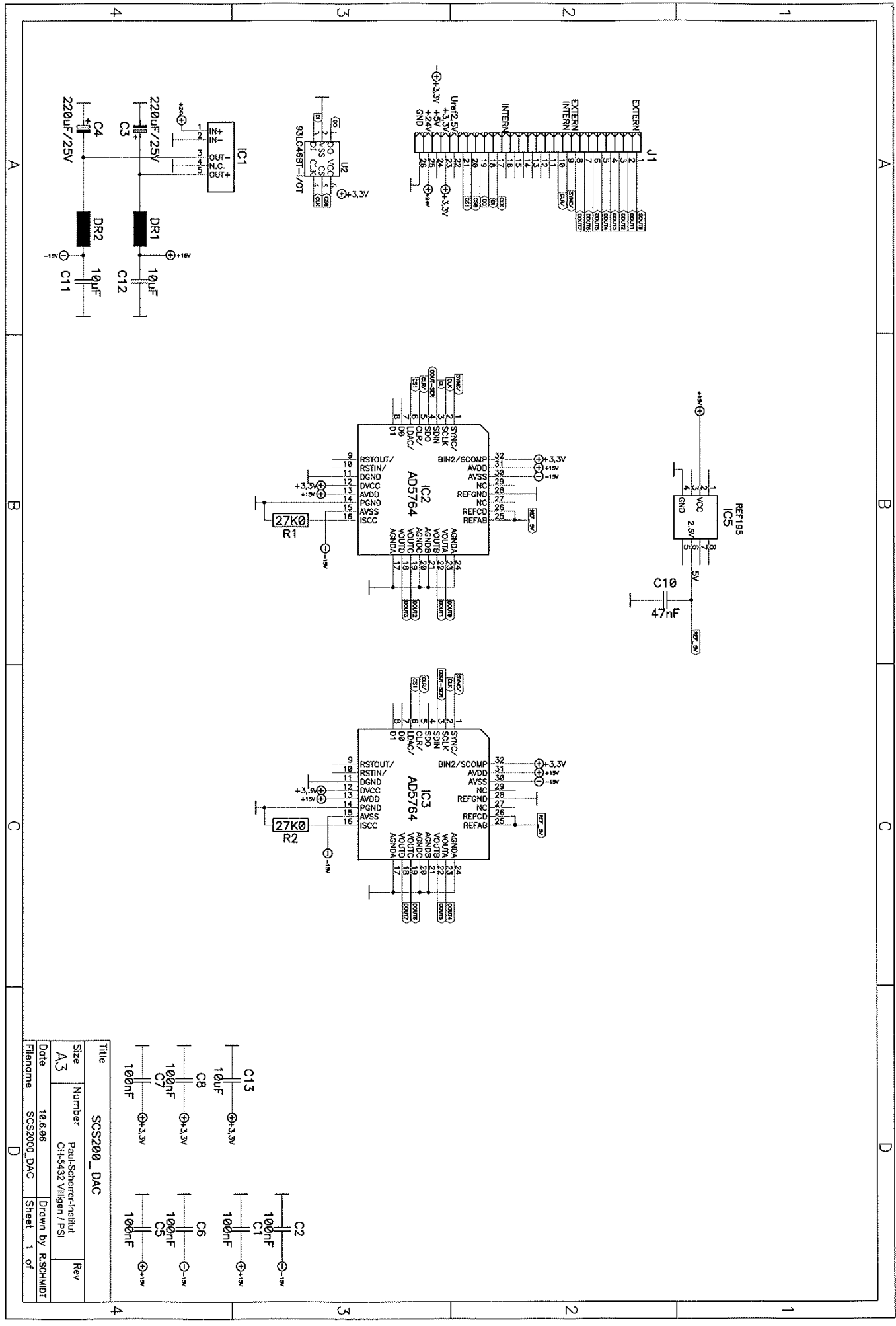
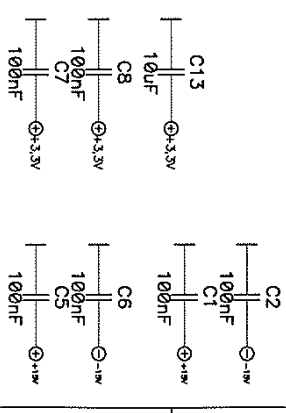
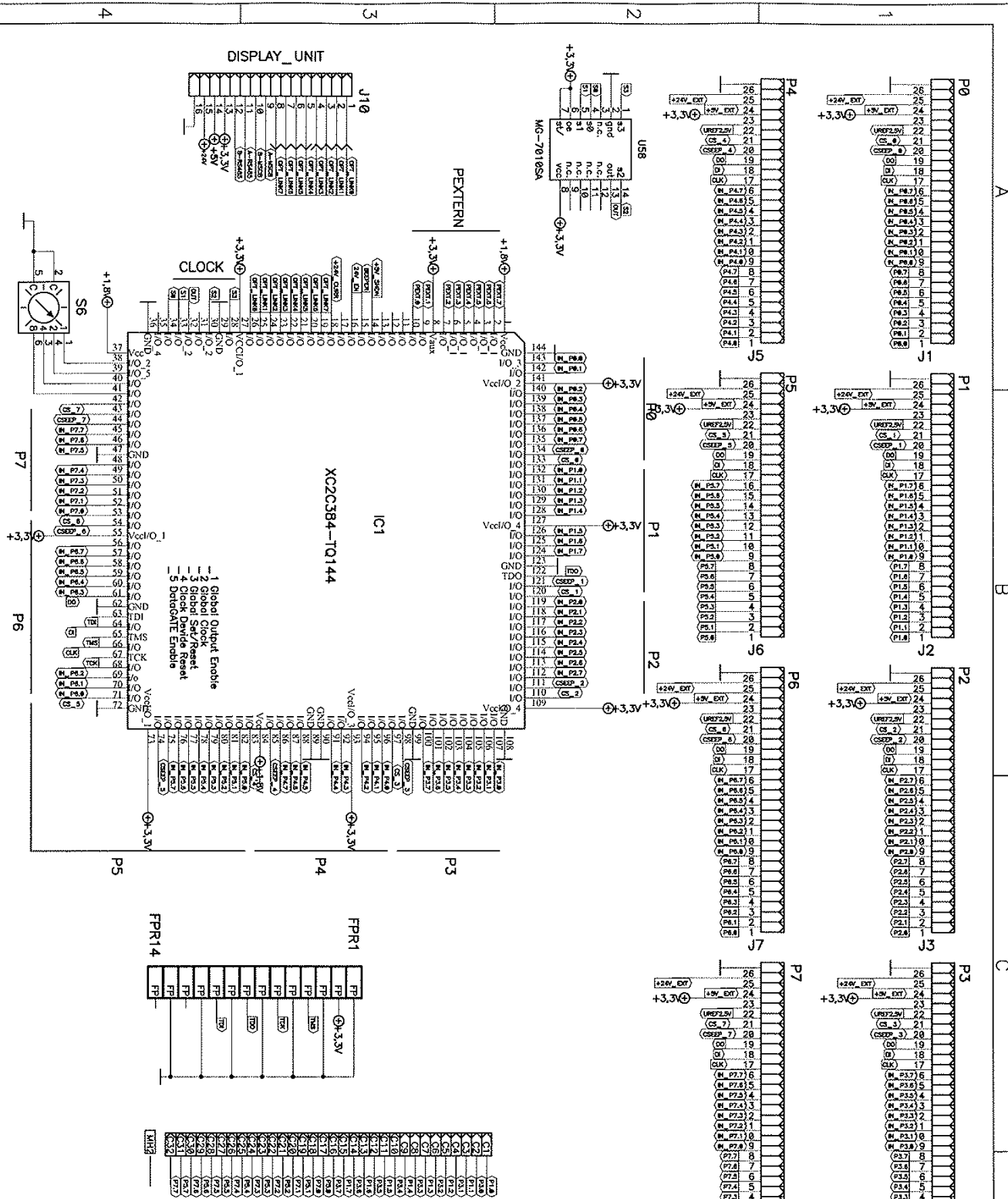


Title	SCS2000_AIN		
Size	Number	Paul-Scherrer-Institut	
A3		CH-5432 Villigen / PSI	
Date	10.12.05	Drawn by	R.SCHMIDT
Filenname		Sheet	1 of

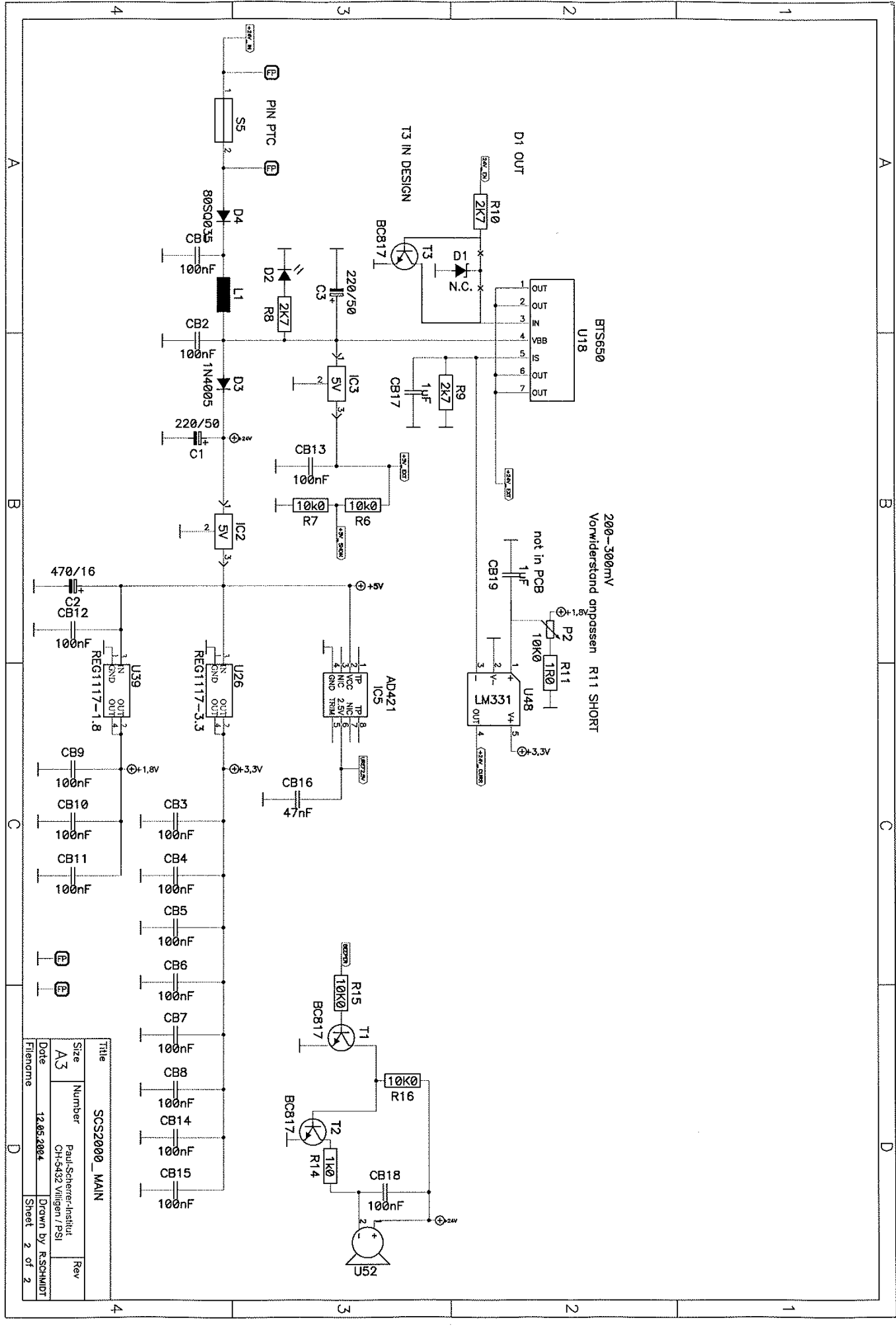


Title		SCS2000_DAC	
Size	Number	Paul-Scherrer-Institut CH-5493 Villigen / PSI	
A3		Rev	
Date	18.6.08	Drawn by R.SCHMIDT	
Filename	SCS2000_DAC	Sheet	1 of 1



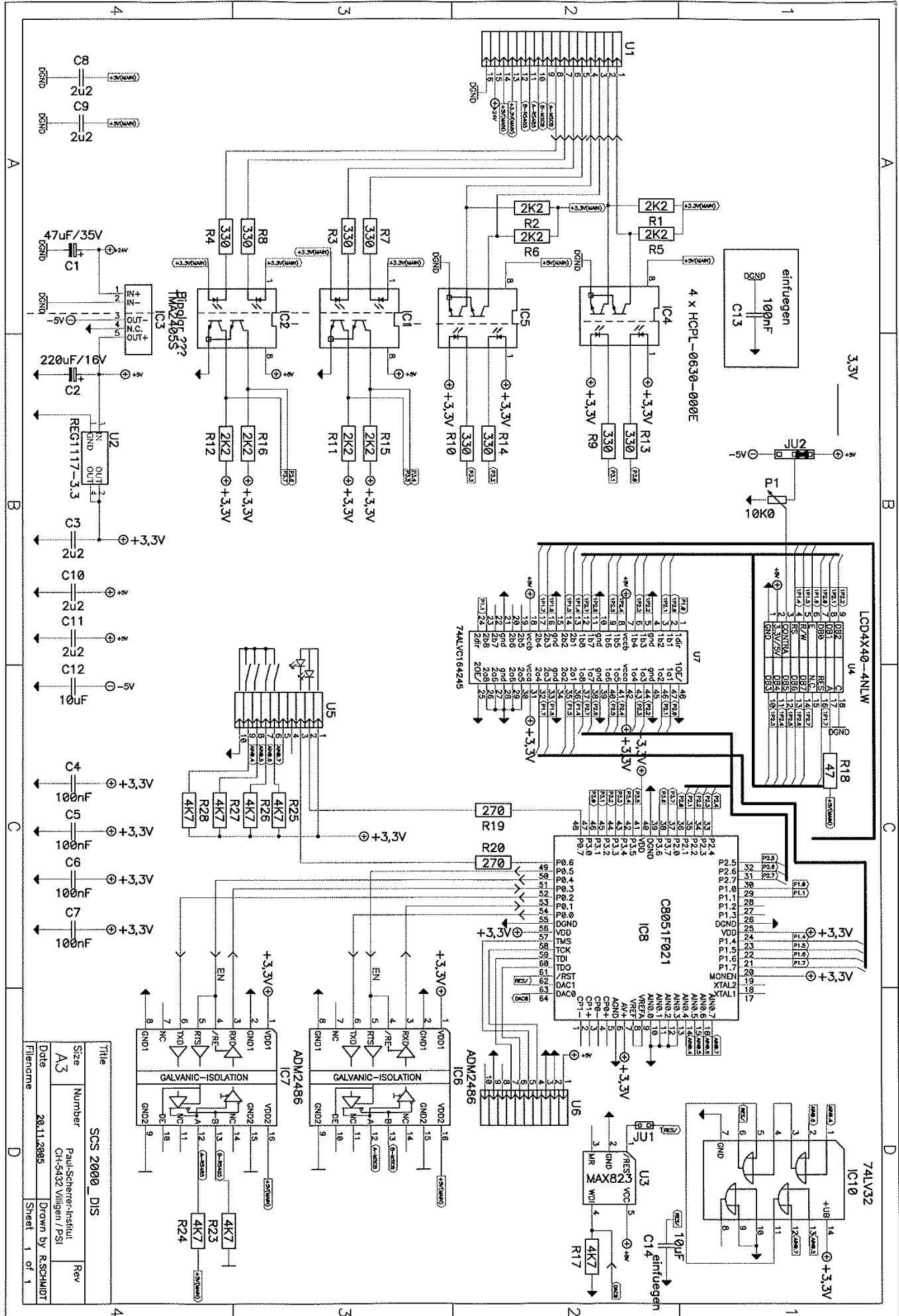


Title		SCS 2000 MAIN	
Size	Number	Paul-Schierer-Institut	Rev
A3		CH-5432 Villigen / PSI	
Date	18.12.05	Drawn by R.SCHMIDT	Sheet 1 of 2
File name			



200-300mV  
Vorwiderstand anpassen R11 SHORT

Title		SCS2000_MAIN	
Size	Number	Paul Scherrer-Institut	Rev
A3		CH-5493 Villigen / PSI	
Date	12.05.2004	Drawn By	R.SCHMIDT
Filename		Sheet	2 of 2



Title		SCS 2000_DIS	
Size	A3	Number	Paul-Scheer-Institut
Date	26.11.2005	Drawn by	R.SCHMIDT
Filename		Sheet	1 of 1