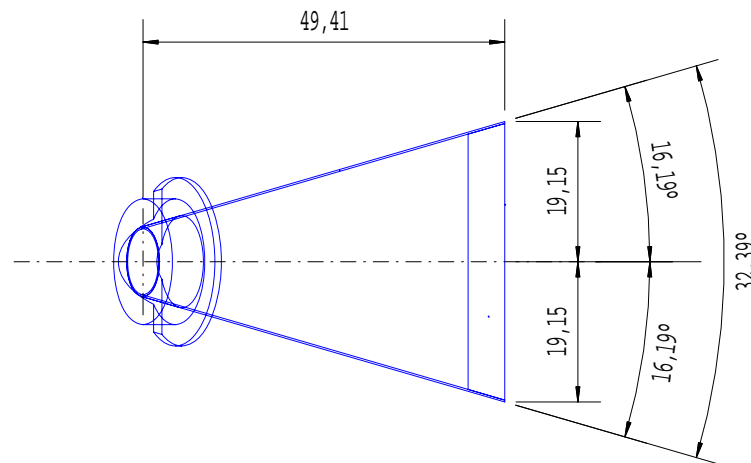


Thickness of light guide wall
(76 μm VM 2000 Foil + 174 μm Araldit)

Scintillation Properties BC-408

Light Output, %Anthracene	64
Rise Time, ns	0,9
Decay Time, ns	2,1
Pulse Width, FWHM, ns	~2,5
Wavelength of Maximum Emission, nm	425
Bulk Light Attenuation Length, cm	380



Allgemeintoleranz DIN 7168-f (±0.1)

POS.	ZEICH_Nr.	ANZ.	BESCHREIBUNG	MATERIAL	FILE
			PROJEKT/TITEL:		
Physik-Institut der Universität Zürich			PEN Degrader 2009 Scintillator BC-408		
			MASSTAB:	BLATT:	
Bearb.	Datum		FILE:	Degrader2009@eant.Ver1.xxx	