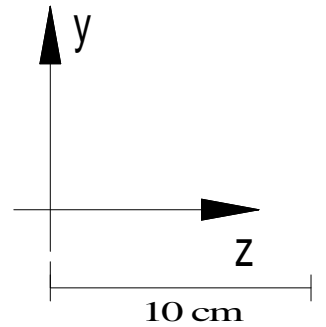
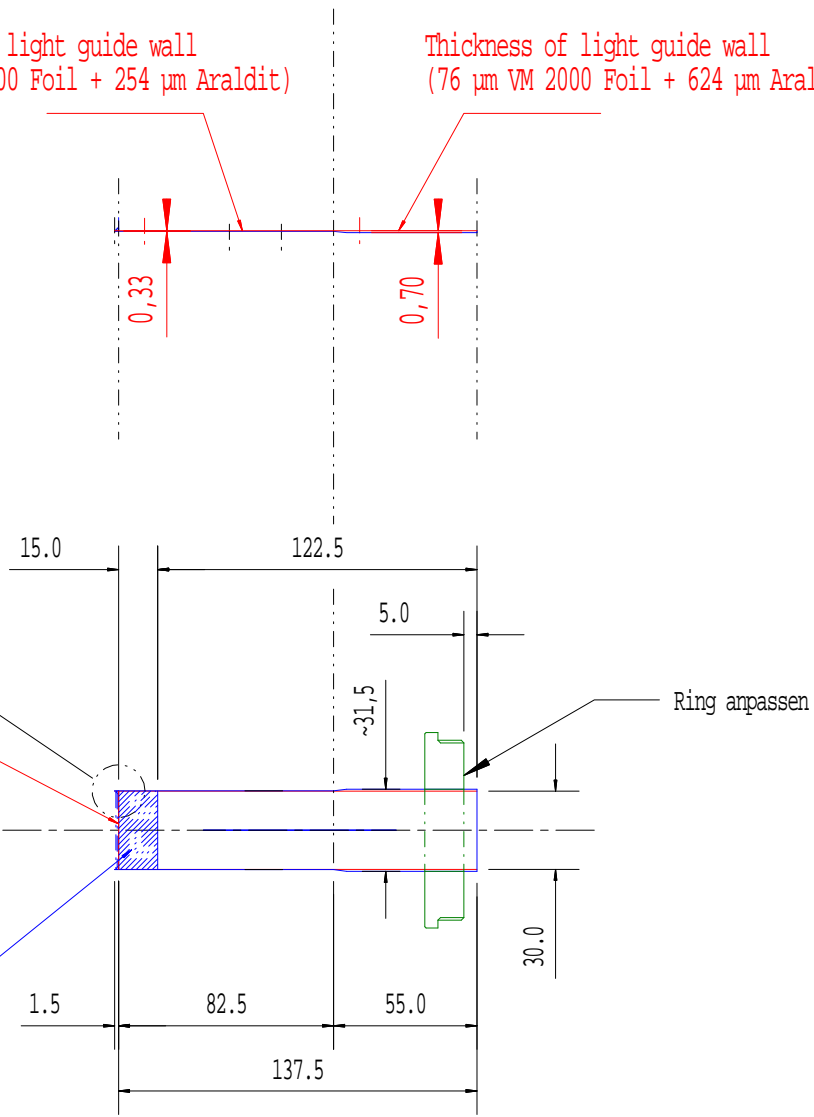


Thickness of light guide wall
(76 μm VM 2000 Foil + 254 μm Araldit)

Thickness of light guide wall
(76 μm VM 2000 Foil + 624 μm Araldit)



Scintillation Properties BC-422Q

Light Output, %Anthracene	19
Rise Time, ns	0,11
Decay Time, ns	0,7
Pulse Width, FWHM, ns	0,36

POS.	ZEICH_Nr.	ANZ.	BESCHREIBUNG	MATERIAL	FILE
			PROJEKT/TITEL:		
Physik-Institut der Universität Zürich			UNI Target Counter 2009 Version 37 Scintillator d=30mm z=15mm Type: BC-422Q		
			MASSTAB:	BLATT:	
Bearb.	Datum		FILE	UNI-TargetCounter2009Ver38.docx	