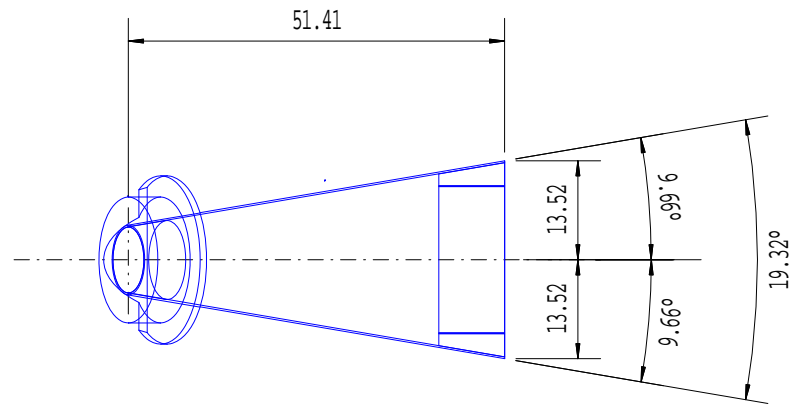


Scintillation Properties BC-408

Light Output, %Anthracene	64
Rise Time, ns	0,9
Decay Time, ns	2,1
Pulse Width, FWHM, ns	~2,5
Wavelength of Maximum Emission, nm	425
Bulk Light Attenuation Length, cm	380



Densities:	VM 2000 Foil	0,963 g/cm ³
	Araldit	1,05 g/cm ³

Allgemeintoleranz DIN 7168-f (±0.1)

POS.	ZEICH_Nr.	ANZ.	BESCHREIBUNG	MATERIAL	FILE
			PROJEKT/TITEL:		
Physik-Institut der Universität Zürich			PEN Degrader 2010 Scintillator BC-408		
				MASSTAB:	BLATT:
Bearb.	Datum		FILE		Degrader2010GeantVer2.xxx